

**Quick couplings
with non-
interchangeable
designs**

UM series



WALTHER quick couplings UM series with non-interchangeable round keys

Description:

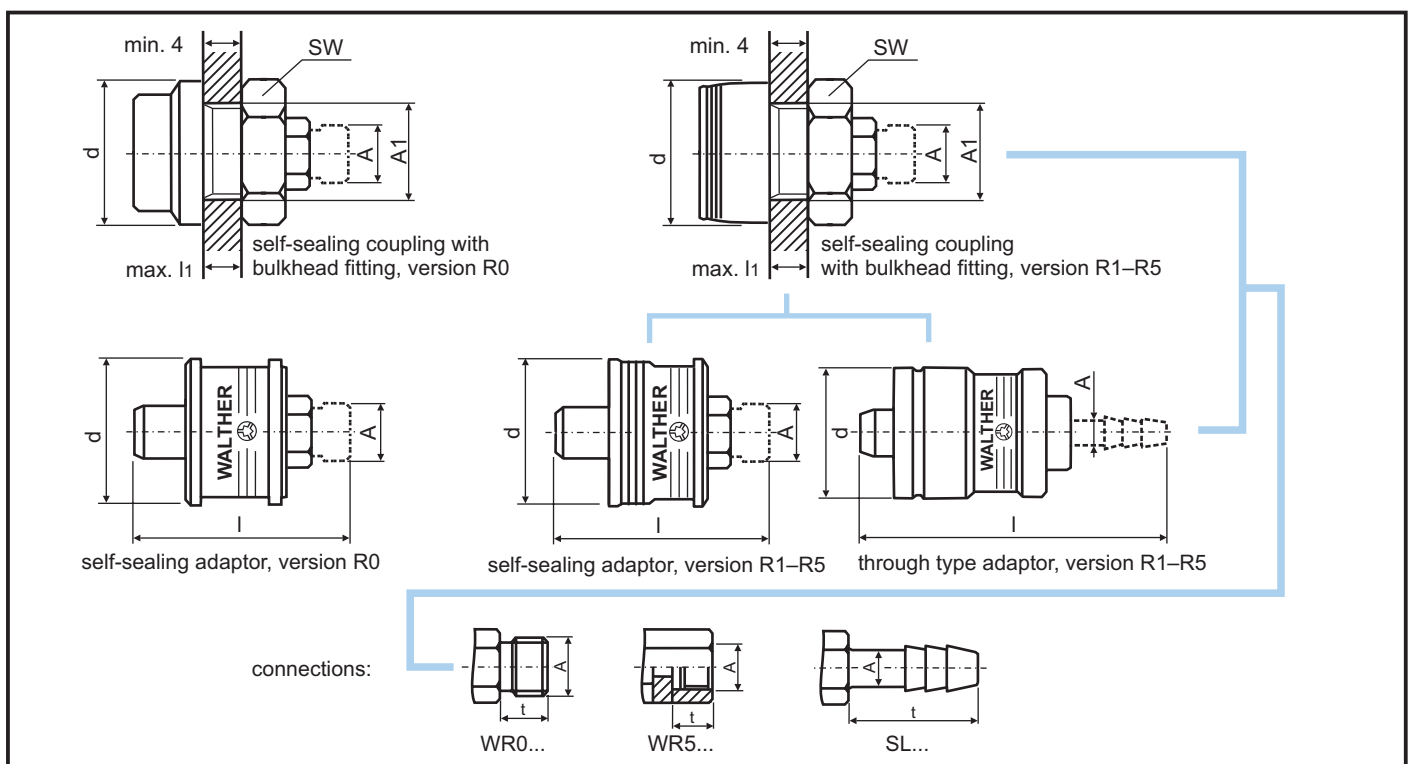
Due to the different diameters of front side components of the quick couplings, self-sealing adaptors and through type adaptors, only coupling halves with the same diameter may be connected. The UM series is used for gases, liquids and vacuum in connected condition. Areas of application are laboratory and medical equipment as well as nuclear power installations. It is especially suited for the installation in control panels.

Features:

- locking mechanism, operated by manipulator
- with or without bulkhead fitting
- 5 different round keys (R1 – R5)
- additional labelling and colour coding according to material and version
- from nom. bore 5 on also in design R0 without non-interchangeable round key
- all self-sealing adaptors with the keys R1 – R5 may be connected to the self-sealing coupling R0
- self-sealing adaptors R0 only fitting for self-sealing coupling R0

Technical data:

Materials:	stainless steel 1.4404 / 1.4571 or equal, nominal bore 4 only in passivated brass, closing bush and locking sleeve: aluminium, anodised in different colours
Seals:	NBR, FKM, EPDM
Additional features:	without valve
Special version:	non bulkhead screwing
Connections:	BSP metric threads (according to DIN ISO 228) for solderless pipe fitting (according to DIN 2353), for swivel nut (DIN 3861), hose nozzle
P max. (stat.):	20 bar



WALTHER quick couplings UM series with non-interchangeable round keys

	Part number	Connection		A ₁	d	l	l ₁	t	SW	Cv value
		Type	A							
	UM-004-0-WR010-R1(-R5)	male thread (pipe thread) acc. to DIN ISO 228	G 1/8 A	M18 x 0,75	36	45,5	4	10	22	0,36
	UM-004-1-SL006-R1(-R5)	hose connection	6 mm	6 mm	27-31	63,5		20		0,36
self-sealing coupling	UM-005-0-WR010-R0	male thread (pipe thread) acc. to DIN ISO 228	G 1/8 A	M 20 x 1,5	32	50	8	10	30	0,48
	UM-005-0-WR013-R0	male thread (pipe thread) acc. to DIN ISO 228	G 1/4 A	M 20 x 1,5	32	51	8	11	30	0,48
	UM-005-0-NP013-R0	NPT male thread	NPT 1/4	M 20 x 1,5	32	54	8	14	30	0,48
	UM-005-0-WR510-R0	female thread (pipe thread) acc. to DIN ISO 228	G 1/8	M 20 x 1,5	32	50	8	9	30	0,48
	UM-005-0-SL004-R0	hose connection	4 mm	M 20 x 1,5	32	58	8	18	30	0,48
	UM-005-0-SL006-R0	hose connection	6 mm	M 20 x 1,5	32	65	8	25	30	0,48
	UM-005-0-WR010-R1(-R5)	male thread (pipe thread) acc. to DIN ISO 228	G 1/8 A	M 20 x 1,5	40	50	8	10	30	0,48
	UM-005-0-WR010-R1(-R5)	male thread (pipe thread) acc. to DIN ISO 228	G 1/4 A	M 20 x 1,5	40	51	8	11	30	0,48
	UM-005-0-NP013-R1(-R5)	NPT male thread	NPT 1/4	M 20 x 1,5	40	54	8	14	30	0,48
	UM-005-0-WR510-R1(-R5)	female thread (pipe thread) acc. to DIN ISO 228	G 1/8	M 20 x 1,5	40	50	8	9	30	0,48
UM-005-0-SL004-R1(-R5)	hose connection	4 mm	M 20 x 1,5	40	58	8	18	30	0,48	
UM-005-0-SL006-R1(-R5)	hose connection	6 mm	M 20 x 1,5	40	65	8	25	30	0,48	
self-sealing adaptor	UM-005-2-WR10-R0	male thread (pipe thread) acc. to DIN ISO 228	G 1/8 A		32	51		10		0,48
	UM-005-2-WR13-R0	male thread (pipe thread) acc. to DIN ISO 228	G 1/4 A		32	52		11		0,48
	UM-005-2-NP013-R0	NPT male thread	NPT 1/4		32	55		14		0,48
	UM-005-2-WR510-R0	female thread (pipe thread) acc. to DIN ISO 228	G 1/8		32	51		9		0,48
	UM-005-2-SL004-R0	hose connection	4 mm		32	59		18		0,48
	UM-005-2-SL006-R0	hose connection	6 mm		32	66		25		0,48
	UM-005-2-WR010-R1(-R5)	male thread (pipe thread) acc. to DIN ISO 228	G 1/8 A		33	51		10		0,48
	UM-005-2-WR013-R1(-R5)	male thread (pipe thread) acc. to DIN ISO 228	G 1/4 A		33	52		11		0,48
	UM-005-2-NP013-R1(-R5)	NPT male thread	NPT 1/4		33	55		14		0,48
	UM-005-2-WR510-R1(-R5)	female thread (pipe thread) acc. to DIN ISO 228	G 1/8		33	51		9		0,48
UM-005-2-SL004-R1(-R5)	hose connection	4 mm		33	59		18		0,48	
UM-005-2-SL006-R1(-R5)	hose connection	6 mm		33	66		25		0,48	
self-sealing coupling	UM-006-0-WR013-R0	male thread (pipe thread) acc. to DIN ISO 228	G 1/4 A	M 24 x 1,5	37	58,5	10	11	36	0,77
	UM-006-0-WR017-R0	male thread (pipe thread) acc. to DIN ISO 228	G 3/8 A	M 24 x 1,5	37	59,5	10	12	36	0,77
	UM-006-0-WR513-R0	female thread (pipe thread) acc. to DIN ISO 228	G 1/4	M 24 x 1,5	37	57,5	10	13	36	0,77
	UM-006-0-SL009-R0	hose connection	9 mm	M 24 x 1,5	37	77,5	10	30	36	0,77
	UM-006-0-SL011-R0	hose connection	11 mm	M 24 x 1,5	37	77,5	10	30	36	0,77
	UM-006-0-SL013-R0	hose connection	13 mm	M 24 x 1,5	37	77,5	10	30	36	0,77
	UM-006-0-WR013-R1(-R5)	male thread (pipe thread) acc. to DIN ISO 228	G 1/4 A	M 24 x 1,5	46	58,5	10	11	36	0,77
	UM-006-0-WR017-R1(-R5)	male thread (pipe thread) acc. to DIN ISO 228	G 3/8 A	M 24 x 1,5	46	59,5	10	12	36	0,77
	UM-006-0-WR513-R1(-R5)	female thread (pipe thread) acc. to DIN ISO 228	G 1/4	M 24 x 1,5	46	57,5	10	13	36	0,77
	UM-006-0-SL009-R1(-R5)	hose connection	9 mm	M 24 x 1,5	46	77,5	10	30	36	0,77
UM-006-0-SL011-R1(-R5)	hose connection	11 mm	M 24 x 1,5	46	77,5	10	30	36	0,77	
UM-006-0-SL013-R1(-R5)	hose connection	13 mm	M 24 x 1,5	46	77,5	10	30	36	0,77	
self-sealing adaptor	UM-006-2-WR013-R0	male thread (pipe thread) acc. to DIN ISO 228	G 1/4 A		37	58		11		0,77
	UM-006-2-WR017-R0	male thread (pipe thread) acc. to DIN ISO 228	G 3/8 A		37	59		12		0,77
	UM-006-2-WR513-R0	female thread (pipe thread) acc. to DIN ISO 228	G 1/4		37	57		13		0,77
	UM-006-2-SL009-R0	hose connection	9 mm		37	77		30		0,77
	UM-006-2-SL011-R0	hose connection	11 mm		37	77		30		0,77
	UM-006-2-SL013-R0	hose connection	13 mm		37	77		30		0,77
	UM-006-2-WR013-R1(-R5)	male thread (pipe thread) acc. to DIN ISO 228	G 1/4 A		38	58		11		0,77
	UM-006-2-WR017-R1(-R5)	male thread (pipe thread) acc. to DIN ISO 228	G 3/8 A		38	59		12		0,77
UM-006-2-WR513-R1(-R5)	female thread (pipe thread) acc. to DIN ISO 228	G 1/4		38	57		13		0,77	

WALTHER quick couplings UM series with non-interchangeable round keys

	part number	connection		A ₁	d	l	l ₁	t	SW	C _v value
		Art	A							
self-sealing adaptor	UM-006-2-SL009-R1(-R5)	hose connection	9 mm		38	77		30		0,77
	UM-006-2-SL011-R1(-R5)		11 mm		38	77		30		0,77
	UM-006-2-SL011-R1(-R5)		13 mm		38	77		30		0,77
self-sealing coupling	UM-009-0-WR017-R0	male thread (pipe thread) acc. to DIN ISO 228	G 3/8 A	M 30 x 1,5	46	69,5	13	12	46	2,1
	UM-009-0-WR021-R0		G 1/2 A		M 30 x 1,5	46		72,5		13
	UM-009-0-SL013-R0	hose connection	13 mm	M 30 x 1,5	46	87,5	13	30	46	2,1
	UM-009-0-WR017-R1(-R5)	male thread (pipe thread) acc. to DIN ISO 228	G 3/8 A	M 30 x 1,5	56	69,5	13	12	46	2,1
	UM-009-0-WR021-R1(-R5)		G 1/2 A		M 30 x 1,5	56		72,5		13
	UM-009-0-SL013-R1(-R5)	hose connection	13 mm	M 30 x 1,5	56	87,5	13	30	46	2,1
self-sealing adaptor	UM-009-2-WR017-R0	male thread (pipe thread) acc. to DIN ISO 228	G 3/8 A		46	68		12		2,1
	UM-009-2-WR021-R0		G 1/2 A		46	71		15		2,1
	UM-009-2-SL013-R0	hose connection	13 mm		46	86		30		2,1
	UM-009-2-WR017-R1(-R5)	male thread (pipe thread) acc. to DIN ISO 228	G 3/8 A		46	68		12		2,1
	UM-009-2-WR021-R1(-R5)		G 1/2 A		46	71		15		2,1
	UM-009-2-SL013-R1(-R5)	hose connection	13 mm		46	86		30		2,1
self-sealing coupling	UM-012-0-WR021-R0	male thread (pipe thread) acc. to DIN ISO 228	G 1/2 A	M 38 x 1,5	55	83,5	18	15		3,25
	UM-012-0-WR026-R0		G 3/4 A		M 38 x 1,5	55		85,5		18
	UM-012-0-WR521-R0	female thread (pipe thread) acc. to DIN ISO 228	G 1/2 A	M 38 x 1,5	55	82,5	18	17		3,25
	UM-012-0-WR526-R0		G 3/4 A		M 38 x 1,5	55		84,5		18
	UM-012-0-SL016-R0	hose connection	16 mm	M 38 x 1,5	55	103,5	18	35		3,25
	UM-012-0-WR021-R1(-R5)	male thread (pipe thread) acc. to DIN ISO 228	G 1/2 A	M 38 x 1,5	55	83,5	18	15		3,25
	UM-012-0-WR026-R1(-R5)		G 3/4 A		M 38 x 1,5	55		85,5		18
	UM-012-0-WR521-R1(-R5)	female thread (pipe thread) acc. to DIN ISO 228	G 1/2 A	M 38 x 1,5	55	82,5	18	17		3,25
	UM-012-0-WR526-R1(-R5)		G 3/4 A		M 38 x 1,5	55		84,5		18
UM-012-0-SL016-R1(-R5)	hose connection	16 mm	M 38 x 1,5	55	103,5	18	35		3,25	
self-sealing adaptor	UM-012-2-WR021-R0	male thread (pipe thread) acc. to DIN ISO 228	G 1/2 A		55	82		15		3,25
	UM-012-2-WR026-R0		G 3/4 A		55	84		17		3,25
	UM-012-2-WR521-R0	female thread (pipe thread) acc. to DIN ISO 228	G 1/2 A		55	81		17		3,25
	UM-012-2-WR526-R0		G 3/4 A		55	83		19		3,25
	UM-012-2-SL016-R0	hose connection	16 mm		55	102		35		3,25
	UM-012-2-WR021-R1(-R5)	male thread (pipe thread) acc. to DIN ISO 228	G 1/2 A		55	82		15		3,25
	UM-012-2-WR026-R1(-R5)		G 3/4 A		55	84		17		3,25
	UM-012-2-WR521-R1(-R5)	female thread (pipe thread) acc. to DIN ISO 228	G 1/2 A		55	81		17		3,25
	UM-012-2-WR526-R1(-R5)		G 3/4 A		55	83		19		3,25
UM-012-2-SL016-R1(-R5)	hose connection	16 mm		55	102		35		3,25	

WALTHER-PRÄZISION • WKa rev. 05/2008 - subject to alterations

WALTHER-PRÄZISION Carl Kurt Walther GmbH & Co. KG

Hausadresse / Head Office:

Westfalenstraße 2
42781 Haan, Germany

Telefon: +49 (0) 21 29 567-0
Telefax: +49 (0) 21 29 567-450

Postadresse / Postal Address:

Postfach 420444
42404 Haan, Germany

eMail: info@walther-praezision.de
Internet: www.walther-praezision.de

