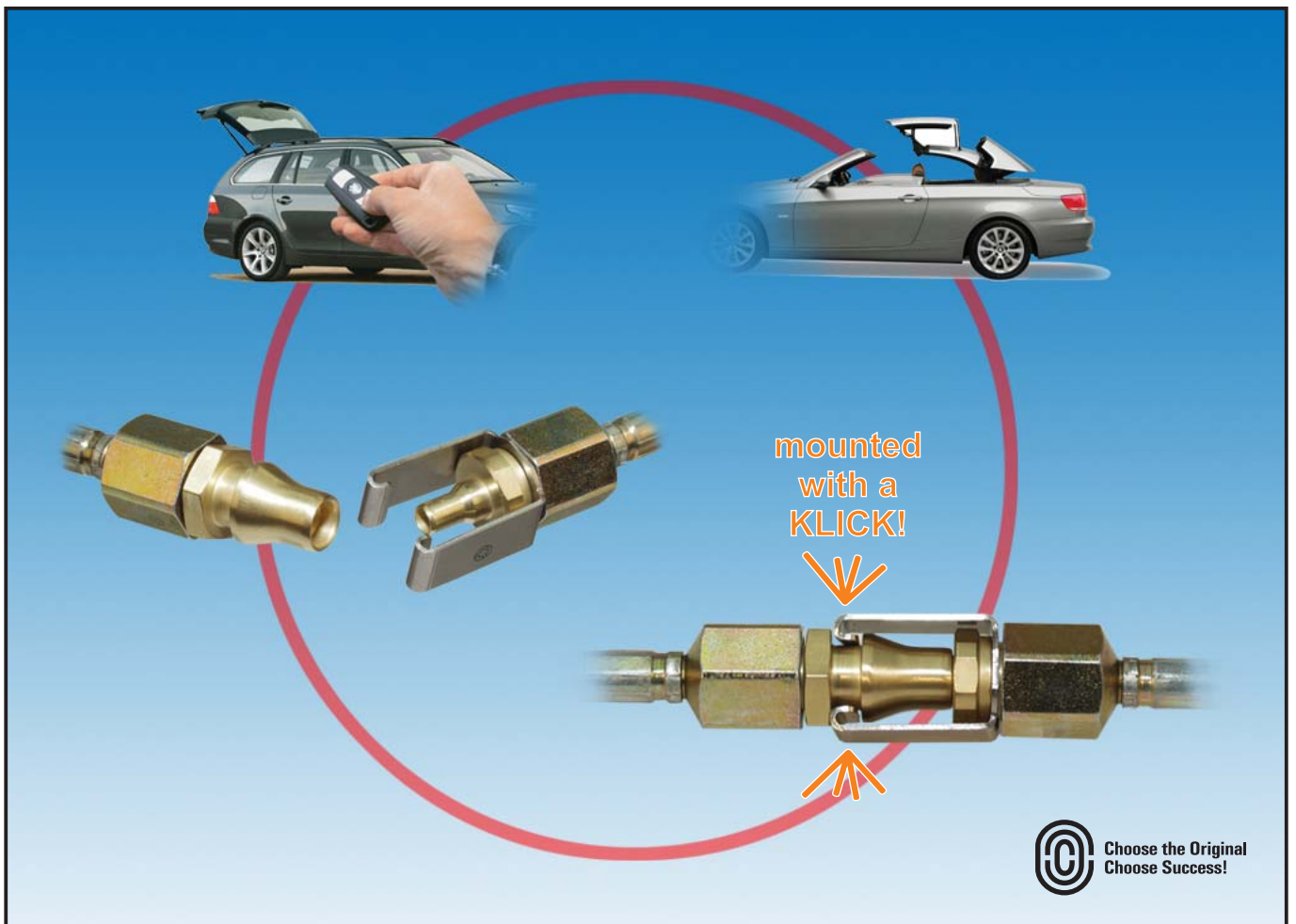


**Quick fit coupling
for compact hydraulics
in vehicles**

07-003



Quick connect coupling for series applications, type 07-003

Description:

This quick connect coupling, well proven in large volume production, can be used for hydraulic applications with an operating pressure up to 280 bar. After bringing together the two coupling halves the coupling locks with a KLICK! The disconnection (maintenance) is carried out manually with a simple standard tool. The integrated check valves reliably prevent a leakage of hydraulic medium in the disconnected condition.

The use of this quick connect coupling offers technical and economic advantages:

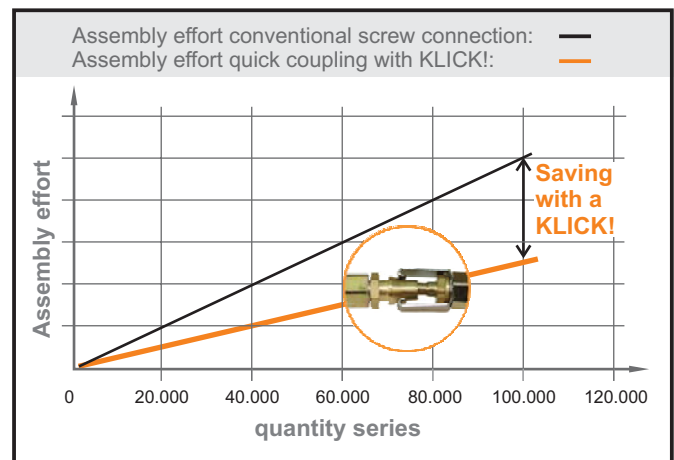
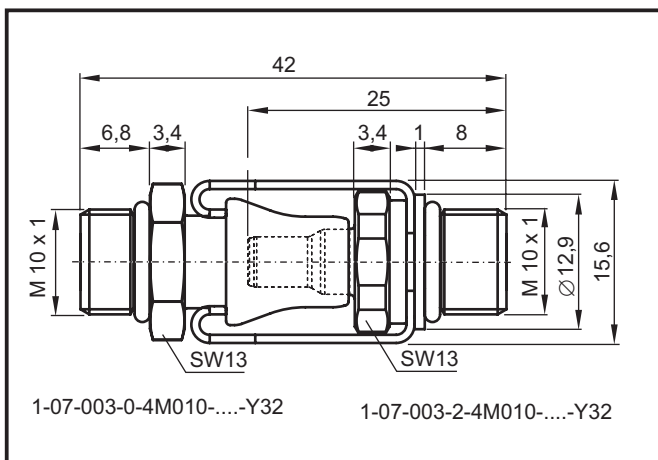
- It replaces the conventional screw fitting by a fast and secure connection during series production.
- saving of time at final assembly by prefilled hydraulic systems and hoses
- no laborious venting of the hydraulic system necessary
- optimised delivery processes due to the reduction of interfaces in the supply chain
- oil-tight design, leakage free
- tested, validated and approved for automotive applications, e.g. vibration and shock resistant according to DIN 60068, part 2 – 27
- proven economic efficiency for series production

Areas of Application:

Automotive: convertible top hydraulics, trunk hydraulics, window regulator, suspension hydraulics, servohydraulics

Commercial vehicles, vehicle manufacturing: elevating roof hydraulics for trailers, lifting equipment, special purpose vehicle manufacturing, fork lift hydraulics

Stationary and mobile hydraulics: valve control for machine tools



WALTHER-PRÄZISION • Wka rev. 09/2008 - subject to alteration

Technical Data:

Nominal bore: 3,0 mm
Cv value: 0,14
Operating pressure: 280 bar
Burst pressure: at least 880 bar
Operating temperature: - 30 °C to + 85 °C

Materials: brass, stainless steel
Connection thread: M10 x 1 male on both sides, with o-ring seal
Sealing quality: NBR

WALTHER-PRÄZISION Carl Kurt Walther GmbH & Co. KG

Hausadresse / Head Office: Postadresse / Postal Address:
Westfalenstraße 2 Postfach 420444
42781 Haan, Germany 42404 Haan, Germany
Telefon: +49 (0) 21 29 567-0 eMail: info@walther-praezision.de
Telefax: +49 (0) 21 29 567-450 Internet: www.walther-praezision.de

