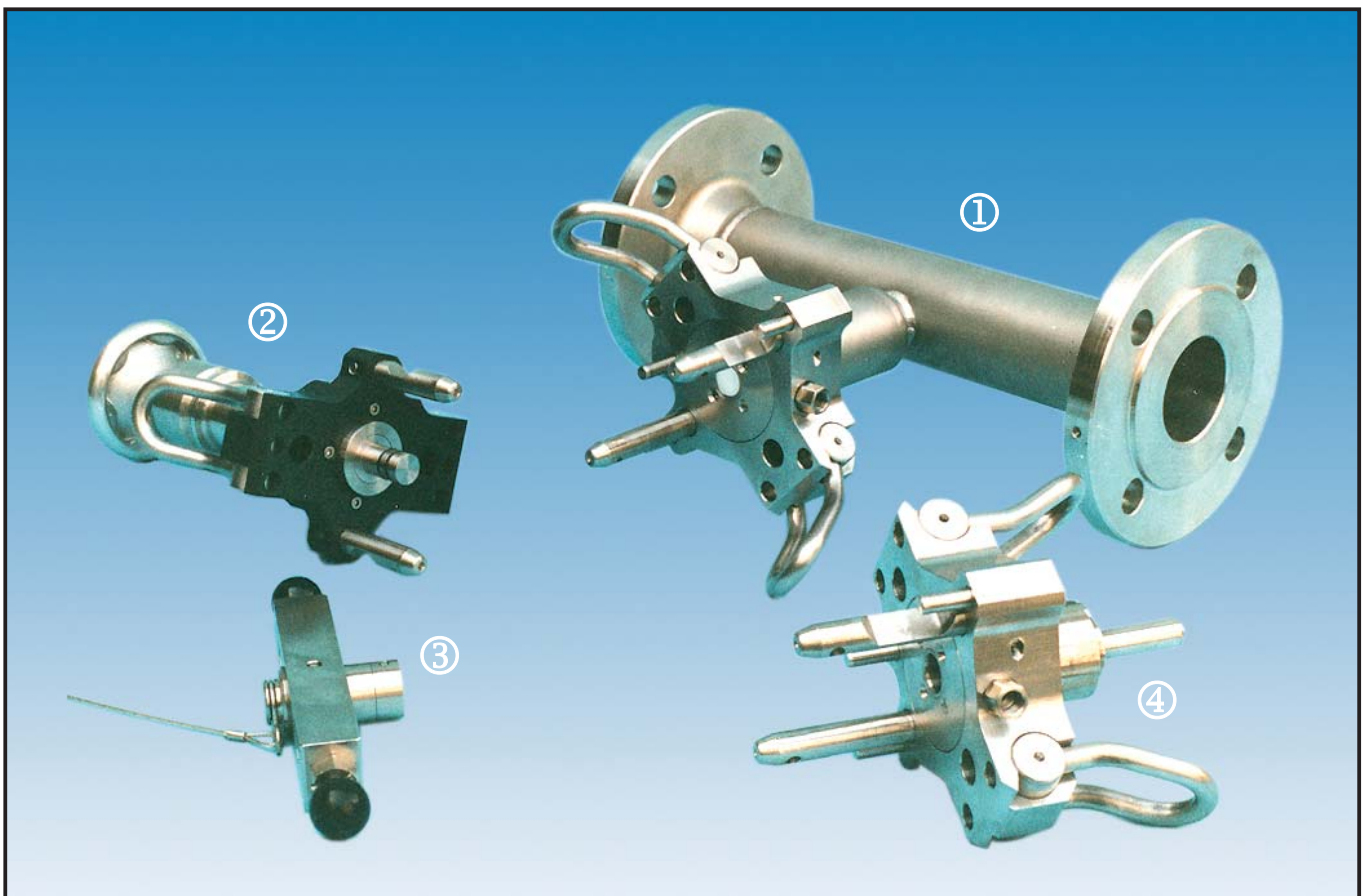


Safety sampling unit

for liquids, gases and
liquid gas

85-005



- ① Sampling self sealing coupling incl. pipe section
- ② Safety sampling injector with self sealing adaptor
- ③ Locking protection cap for sampling self sealing coupling
- ④ Laboratory sampling point

WALTHER safety sampling unit for liquids, gases and liquid gas, with flushing connections

Description:

The type 85-005 is a 100% dry break safety sampling unit.

It is possible to take samples from product lines by simple, non interchangeable handling of the fitting's free half. Escape of medium to the environment is impossible. During connection/disconnection the breaking point is automatically flushed, e.g. with N₂.

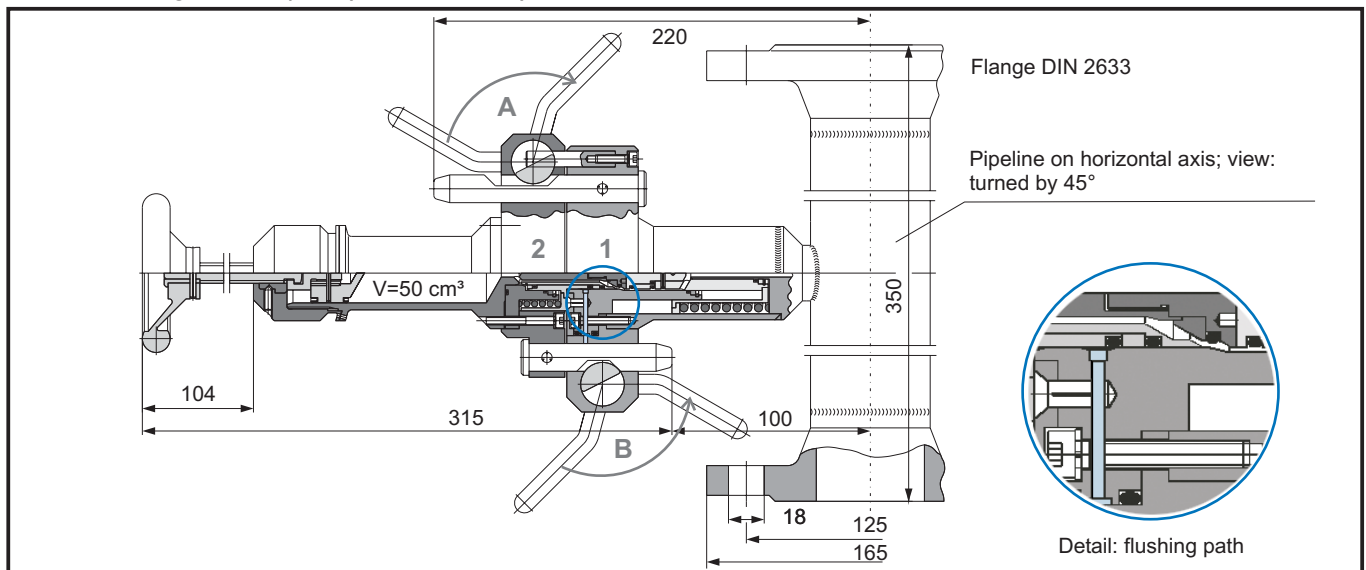
After sample taking the free half serves as container until it is coupled to and drained by the analysis equipment under the same safety conditions.

The unit is rated up to 16 bar working pressure and has a capacity of 50 cm³.

The "heart" of the sampling unit can also be used as flushable safety clean break coupling for dangerous liquids.

Features:

- 100% dry break and safe sample taking by using dry valves.
- Operating error excluded by two-step operation of the connection and disconnection process.
- The wetting film of the sampling liquid is flushed with inert gas or a liquid well-directed into an outlet pipe or a closed container.
- The taken sample can be transported safely locked in the sampling cylinder.
- After cleaning of the safety sampling injector it can be used for further samples.
- The sample in the laboratory and/or college of technology can be transferred to the analysis device just as harmlessly, safe and clean via the laboratory sampling point.
- The sampling points can be secured by lockable protection caps.
- The components are made of specified stainless steels or special alloys with suitable sealing materials according to the quality assurance system certified to DIN/ISO 9001.



A Connection stage I

By turning levers A in pairs the sampling injector is brought into the secured locking position. The flushing path is opened by a control piston.

B Connection stage II

By turning levers B in pairs the valves are opened. In final position the control piston has closed the flushing path. Now the sample can be taken.

During disconnection when turning levers in pairs the described processes run in reverse order, first B (close valves and flush), then A (disconnect).

Carl Kurt Walther GmbH & Co. KG

Westfalenstraße 2

Postfach 420444

Tel. +49 (0) 21 29 / 5 67-0

Fax +49 (0) 21 29 / 5 67-450

D-42781 Haan

D-42404 Haan

E-Mail: info@walther-praezision.de

Internet: www.walther-praezision.de

